

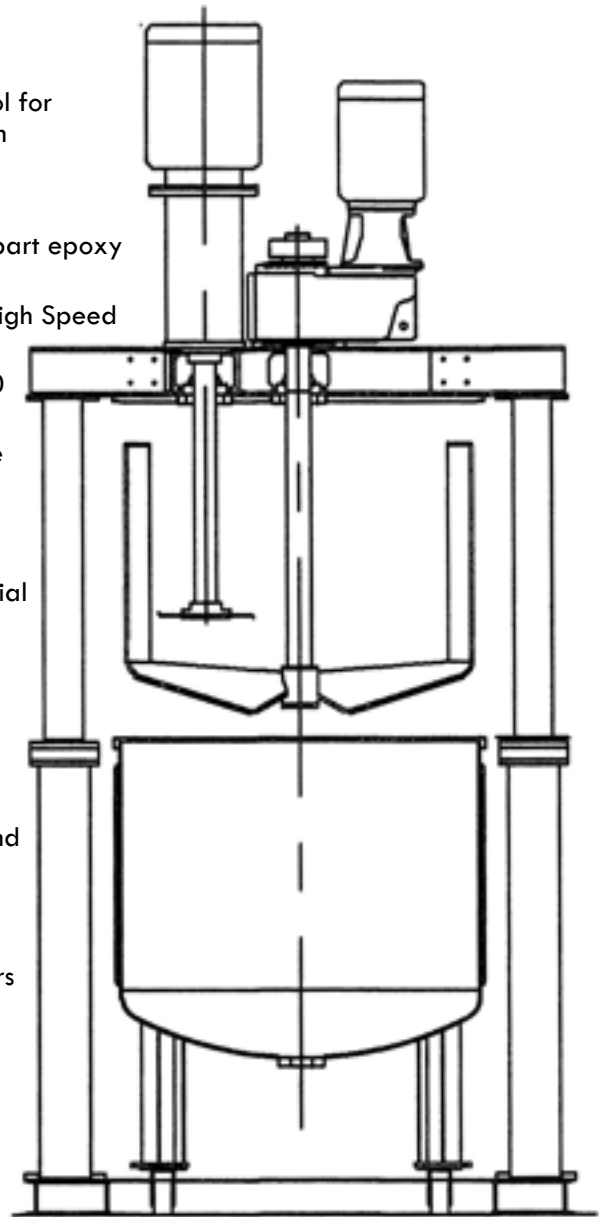
Dual Shaft (CDA 500 - 1000) Specifications and Dimensions

STANDARD FEATURES:

- Change can design
- Dual hydraulic cylinder vertical lift design with push button control for raising and lowering agitators to and from the operating position
- Floor mounted design
- Stainless steel type 304 wetted parts with 80 grit polish
- Non-Stainless steel components are finished with a durable two-part epoxy coating
- Two independently-driven agitators including an Anchor and a High Speed Disperser
- Totally enclosed fan cooled (TEFC) motors designed for 230/460 volt, 3 phase, 50/60 Hz
- Safety limit switch to prevent operation of the agitators when the mix vessel is removed from the mixing position

AVAILABLE OPTIONS:

- Wetted parts of stainless steel type 316, Hastelloy or other special alloys
- Sanitary design with special seals, polishes, connections and carbon or stainless steel mixer sheathing
- Full vacuum and/or internal pressure
- High Shear Rotor/Stator Mixer available in lieu of High Speed Disperser
- Special motors including explosion proof and various voltages and frequencies
- Sight/Charge ports, inlet/outlet nozzles and flush tank discharge valves
- Temperature probes, pressure transducers and other batch sensors
- Jacketed mix vessel for heating and/or cooling
- Internally-machined mix vessel for use with a Ross Discharge System
- Controls including variable frequency drives, explosion-proof operator stations and Human Machine Interfaces
- Vacuum pump, heater and/or chiller and other auxilliary equipment
- Custom agitators and other special features can be incorporated in the design



Model	Mixing Capacity	Anchor		High Speed Disperser		Overall Lowered Height	Overall Raised Height	Overall Width	Overall Length	Mix Vessel Overall Height	Mix Vessel Inside Diameter	Weight
	Gallons	HP	RPM	HP	RPM	Inches	Inches	Inches	Inches	Inches	Inches	Lbs
CDA-500	500	25	23	50	1,200	152	209	93	63	81	60	11,500
CDA-1000	1,000	30	30	75	900	176	252	115	75	101	72	15,500

*Dimensions shown are approximate and subject to change without notice due to design improvements, selected options, or supplier component substitutions.



CHARLES ROSS & SON COMPANY

P.O. Box 12308
 710 Old Willets Path, Hauppauge, NY 11788
 631-234-0500
 Fax: 631-234-0691
www.mixers.com
sales@mixers.com